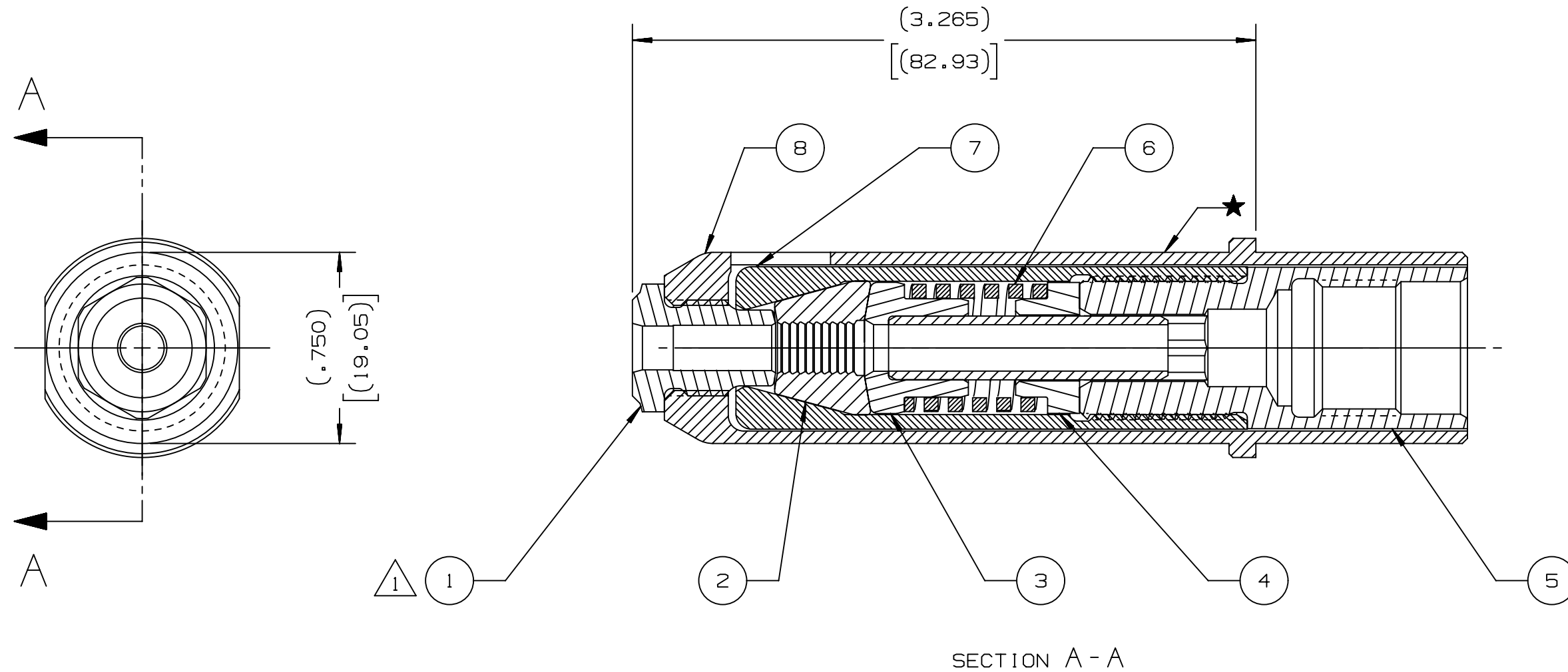


REV	DESCRIPTION	DET	DATE
H	ITEM 1, DRIVING ANVIL 117842 WAS 116907, UPDATE DRAWING FORMAT, NOTE 1, OFFER DRIVING ANVIL 116907 AS OPTION	EL	07/29/19



NOTES:  
 (H) (A) CONCAVE INSERT, OPTIONALLY AVAILABLE, PART# 116907

116910	1	ANVIL HOLDER	8
116909	1	COLLET	7
123877	1	SPRING	6
124360	1	EXTENSION	5
116912	1	CAP	4
116911	1	FOLLOWER	3
128347	1	CHUCK JAWS	2
(H) 117842	1	ANVIL INSERT	1
PART NO.	QTY	DESCRIPTION	ITEM

IDENTIFICATION PER SPEC 42-311: ★ ETCH	HUCK INTERNATIONAL, INC., I.S.D 1 CORPORATE DR KINGSTON, NEW YORK 12401		
ITAR/ECCN: EAR99	NOSE ASM -08 MGL SELF-RELEASING		
SCH B#: 8467.99.0190	FINAL ASSY: 2480, 212		
ENG: NDG	CK:	DATE: 07/29/19	SCALE: 2:1
HTS: 8467.99.0190	<b>B</b>	<b>99-3305</b>	