

2630

2630 Hydraulic Installation Tool

Specifications

Weight:

9.75 kg (21.5 lbs.)

Stroke:

48.4mm (1.91")

Max Operating Hydraulic Pressures:

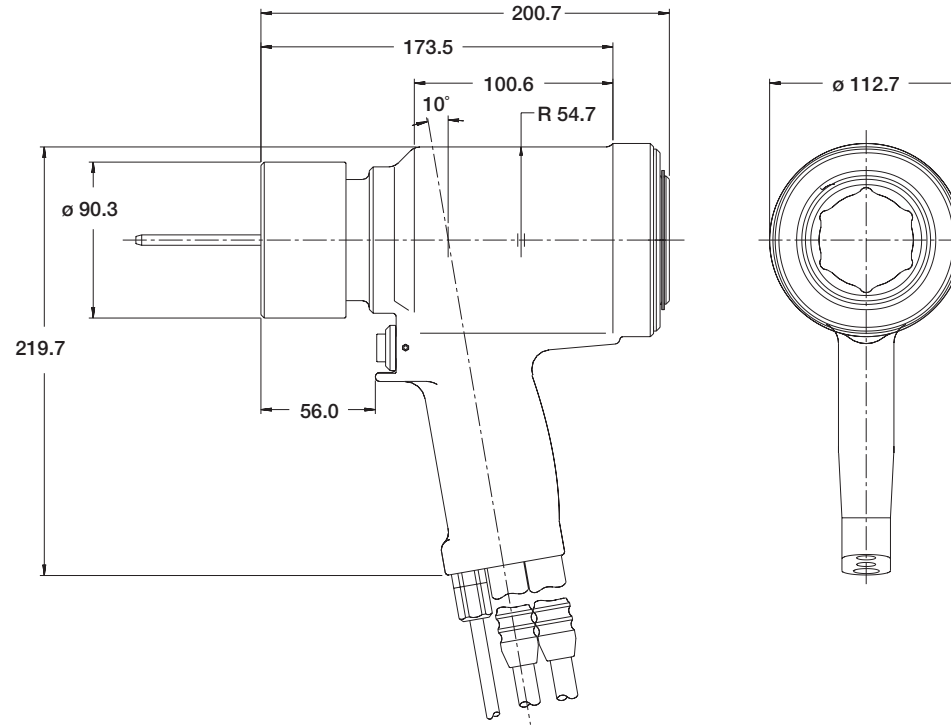
Pull-510 bar (7,400 psi)

Return-221 bar (3,200 psi)

Capacity:

216 kN @ 448 bar

(48,614 lbs @ 6,500 psi)



HUCK® INTERACTIVE CD ROM : NOSE ASSEMBLY TABLE

2630

**Some Nose Assemblies & Fasteners
for use with the 2603 tool**

Type	Diameter	Nose Assembly
C50L	22.2mm (7/8")	99-5014, 99-5015
HUCK-FIT	20mm	99-5414
