

254

254 Pneudraulic Powered Installation Tool

Specifications

Weight:

3.9kg (8.67 lbs.)

Required Air Pressure: 6.2-bar

(90 psi)

Stroke:

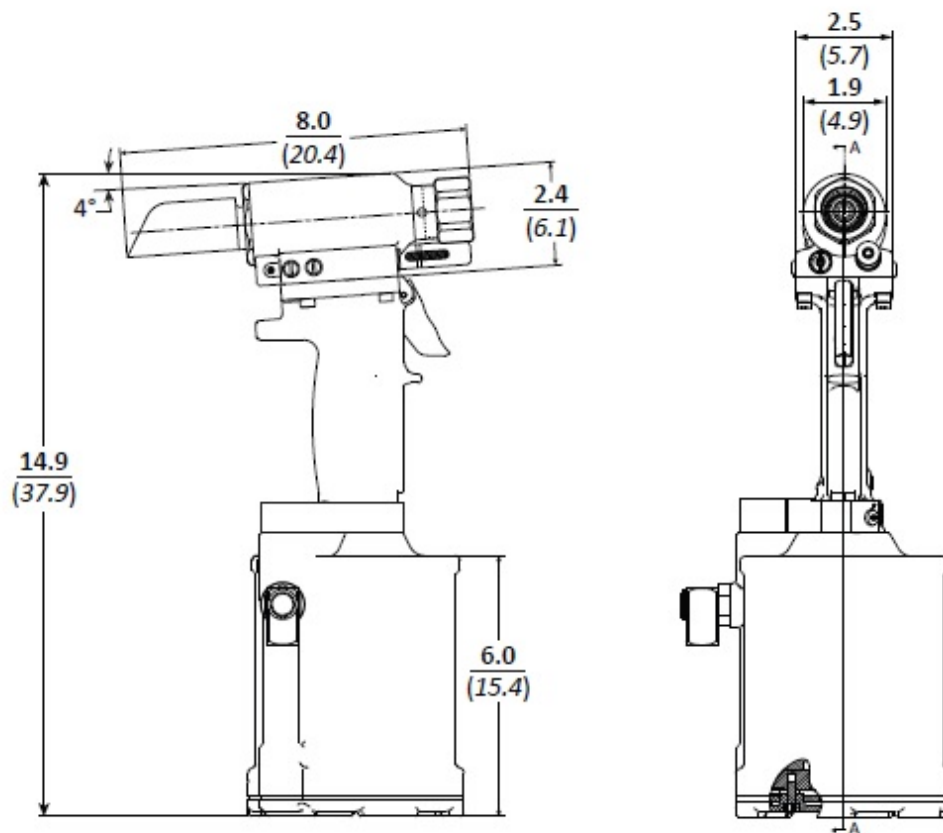
14.3 mm (.565")

Air Consumption:

13.5 SCFM (382.28 l/min)
based on 30 cycles per/
minute

Capacity: 38.34 kN @ 6.2 bar

(8620 lbs @ 90 psi)



254

Some Fasteners & Nose Assemblies for use with the 254 Tool

Type	Diameter	Nose Assembly
BOM	4.8 mm (3/16")	99-1053
	6.4 mm (1/4")	99-830-1
MAGNA-LOK	9.5 mm (3/8")	99-3318, 99-93329
MAGNA-BULB	7.9 mm (5/16")	99-3307
C6L/C12oL	7.9 mm (5/16")	99-99-245
	9.5 mm (3/8") *	99-100-245
MAGNA-GRIP	7.9 mm (5/16")	99-1439