

HUCK® INTERACTIVE CD ROM : SPECIFICATIONS

2025/2025L

2025 Pneudraulic Installation Tool

Specifications

Weight:

2.61 kg (5.75 lbs.)

Required Air Pressure:

6.21-6.9 bar (90-100 psi)

Air Consumption:

8.5 CFM (240 l/min) based on
30 cycles per minute

Stroke:

17 mm (0.675")

Hydraulic Fluid:

Automatic Transmission Fluid
DEXTRON II® or equivalent

Capacity:

23.53 kN @ 6.21 bar
(5290 lbs @ 90 psi)

2025 L Pneudraulic Installation Tool

Specifications

Weight:

2.61 kg (5.75 lbs.)

Required Air Pressure:

6.21-6.9 bar (90-100 psi)

Air Consumption:

8.5 CFM (240 l/min) based on
30 cycles per minute

Stroke:

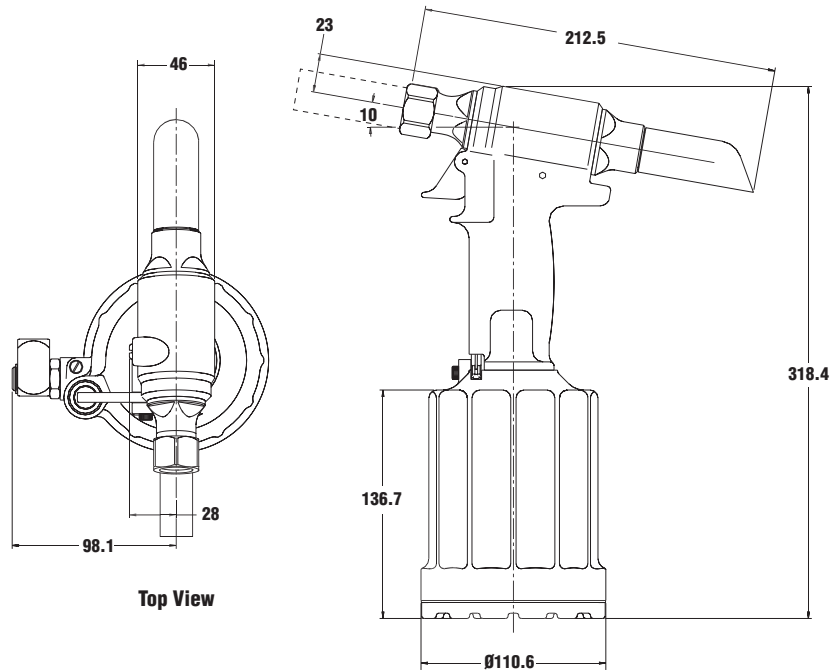
17 mm (0.675")

Hydraulic Fluid:

Automatic Transmission Fluid
DEXTRON II® or equivalent

Capacity:

23.53 kN @ 6.21 bar
(5290 lbs @ 90 psi)



Top View

HUCK® INTERACTIVE CD ROM : NOSE ASSEMBLY TABLE

2025/2025L

Some Fastener and Nose Assemblies for use with the 2025 Tool

Type	Diameter	Nose Assembly
MAGNA-LOK	4.8 mm (3/16")	99-3300, 99-3303 99-3304
	6.4 mm (1/4")	99-3301, 99-3305 99-3306, 99-3478 (H'Duty)
MAGNA-BULB	4.8 mm (3/16")	99-3300, 99-3303 99-3304
	6.4 mm (1/4")	99-3301, 99-3305 99-3306, 99-3478 (H'Duty)
AUTO-BULB	4.8 mm (3/16")	99-3300, 99-3303 99-3304
	6.4 mm (1/4")	99-3301, 99-3305 99-3306, 99-3478 (H'Duty)
MAGNA-TITE	4.8 mm (3/16")	99-3487-6MT
	6.4 mm (1/4")	99-3487-8MT
HUCKLOK	6.4 mm (1/4")	99-3301, 99-3305 99-3306, 99-3478 (H'Duty)
C6L NOT WITH 8LC COLLAR	4.8 mm (3/16")	99-3003 , 99-3004
	6.4 mm (1/4")	99-3006 , 99-3007
MAGNA-GRIP	4.8 mm (3/16")	99-3200, 99-1456 99-3202
	6.4 mm (1/4")	99-3203, 99-1458, 99-1477 99-3205
HUCKTAINER	9.5 mm (3/8")	99-3464

Items in **bold** are part of our FOCUS Tooling Range

Some Nose Assemblies & Fasteners for use with the 2025L tool

Type	Diameter	Nose Assembly
MAGNA-LOK	4.8 mm (3/16")	99-3303L
	6.4 mm (1/4")	99-3305L , 99-3478L (H'Duty)
MAGNA-BULB	4.8 mm (3/16")	99-3303L ,
	6.4 mm (1/4")	99-3305L , 99-3478L (H'Duty)
HUCKLOK	6.4 mm (1/4")	99-3305L
AUTO-BULB	4.8 mm (3/16")	99-3303L ,
	6.4 mm (1/4")	99-3478L, 99-3305L
MAGNA-TITE	4.8 mm (3/16")	99-3487-6MT
	6.4 mm (1/4")	99-3487-8MT
C6L NOT WITH 8LC COLLAR	4.8 mm (3/16")	99-3003L
	6.4 mm (1/4")	99-3006L
MAGNA-GRIP	4.8 mm (3/16")	99-1456L ,
	6.4 mm (1/4")	99-1458L , 99-1477UK
HUCKTAINER	9.5 mm (3/8")	99-3464L

Items in **bold** are part of our FOCUS Tooling Range